

A Division of: Woodex Bearing Co. Inc. • Georgetown, Maine USA 04548  
 (800) 526-8800 • (207) 371-2210 • FAX: (207) 371-2169  
 sales@mecoseal.com • www.mecoseal.com

PHOTOS AND DRAWINGS SENT VIA E-MAIL ARE VERY HELPFUL!

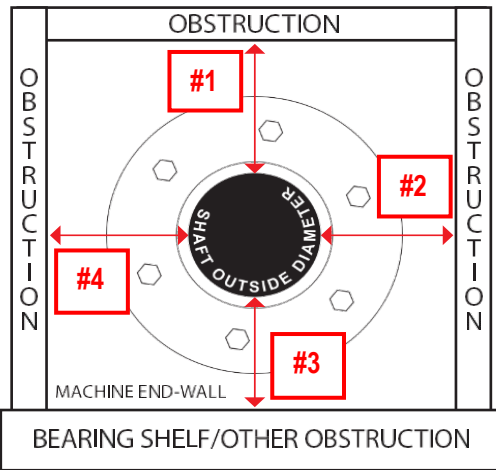
### CONTACT INFORMATION:

Submitted By: \_\_\_\_\_ Date: \_\_\_\_\_  
 Company Name: \_\_\_\_\_  
 Street Address: \_\_\_\_\_  
 City: \_\_\_\_\_ State/Province: \_\_\_\_\_ Postal Code & Country: \_\_\_\_\_  
 Telephone #: \_\_\_\_\_ Email: \_\_\_\_\_  
 How did you hear about us? \_\_\_\_\_

### MACHINE INFORMATION:

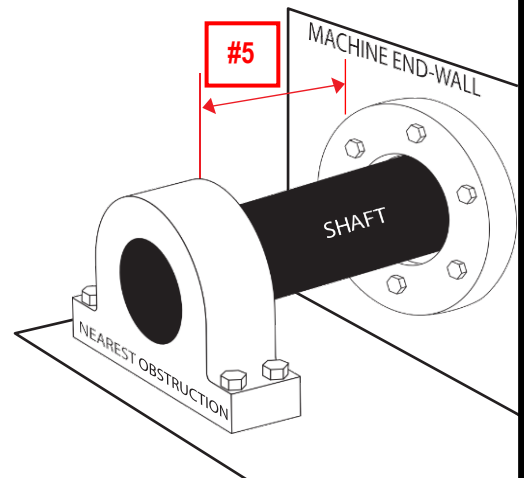
Type of Machine (Mixer, Blender, Conveyor, etc.): \_\_\_\_\_  
 Machine Manufacturer: \_\_\_\_\_  
 Shaft Diameter: \_\_\_\_\_ RPM: \_\_\_\_\_ Condition of the Shaft: \_\_\_\_\_  
 Vessel Opening Diameter: \_\_\_\_\_ Mounting Bolt Pattern: \_\_\_\_\_ Circle Square  
 Bolts or Studs: \_\_\_\_\_ Size: \_\_\_\_\_ Qty: \_\_\_\_\_  
 Shaft Position: Horizontal Bottom Entry Top Entry Inclined Degrees of Inclination: \_\_\_\_\_  
 Purging Possible: Yes No Medium: N2 Air Water Other Seal Type: Split Unsplit  
 Existing Stuffing Box: Yes No Bore Diameter: \_\_\_\_\_ Bore Depth: \_\_\_\_\_ Box OD: \_\_\_\_\_

#### CLEARANCE AROUND THE SHAFT:



Dimension #1: \_\_\_\_\_  
 Dimension #2: \_\_\_\_\_  
 Dimension #3: \_\_\_\_\_  
 Dimension #4: \_\_\_\_\_  
 Dimension #5: \_\_\_\_\_

#### CLEARANCE ALONG THE SHAFT:



### PROCESS INFORMATION:

Product(s) Handled: \_\_\_\_\_  
 Temp Range: \_\_\_\_\_ - \_\_\_\_\_ F C Pressure Range (Gauge): \_\_\_\_\_ - \_\_\_\_\_ psi kPa  
 Describe Thermal Cycle: \_\_\_\_\_ Describe Pressure Cycle: \_\_\_\_\_  
 Duty Cycle: \_\_\_\_\_ Toxic / Corrosive Yes No  
 Product State: Dry Moist Liquid Slurry Paste Particle Size: \_\_\_\_\_ Food Grade? Yes No  
 Explosive: Yes No If Yes, Explain: \_\_\_\_\_  
 Additional Notes: \_\_\_\_\_

